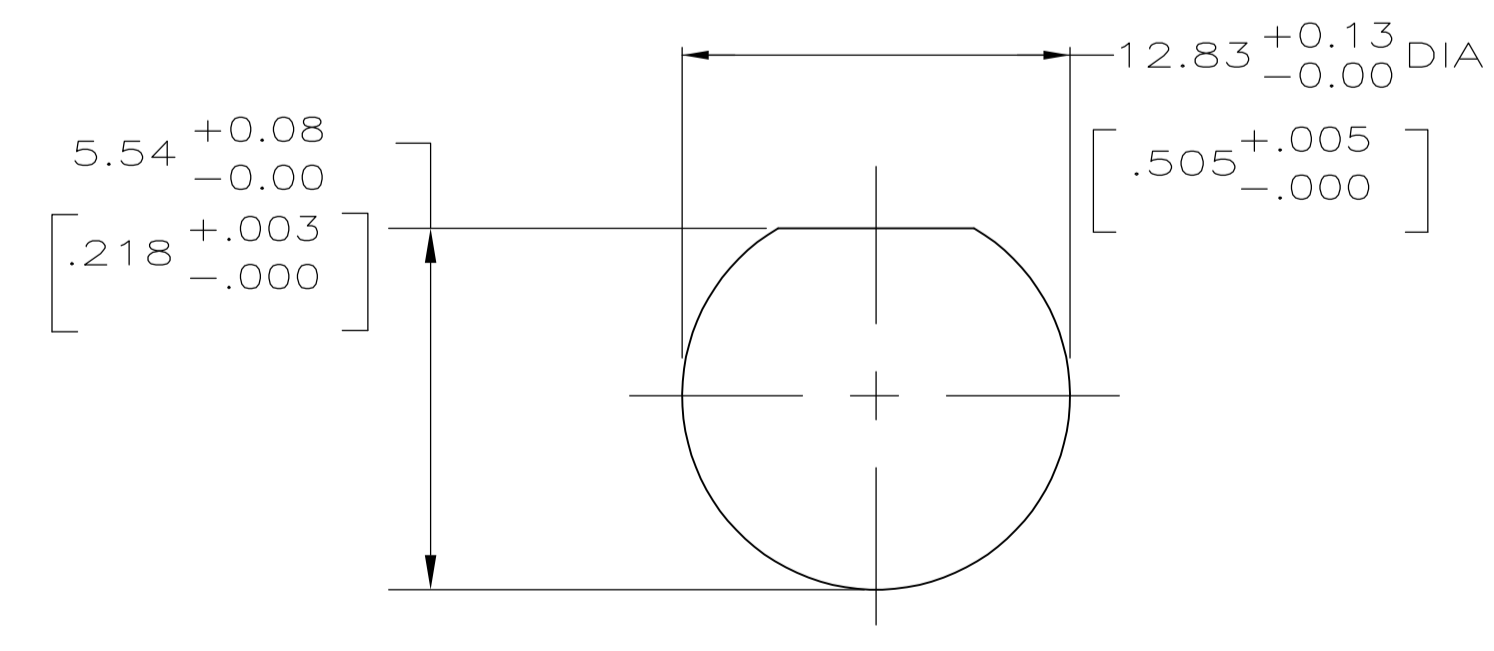
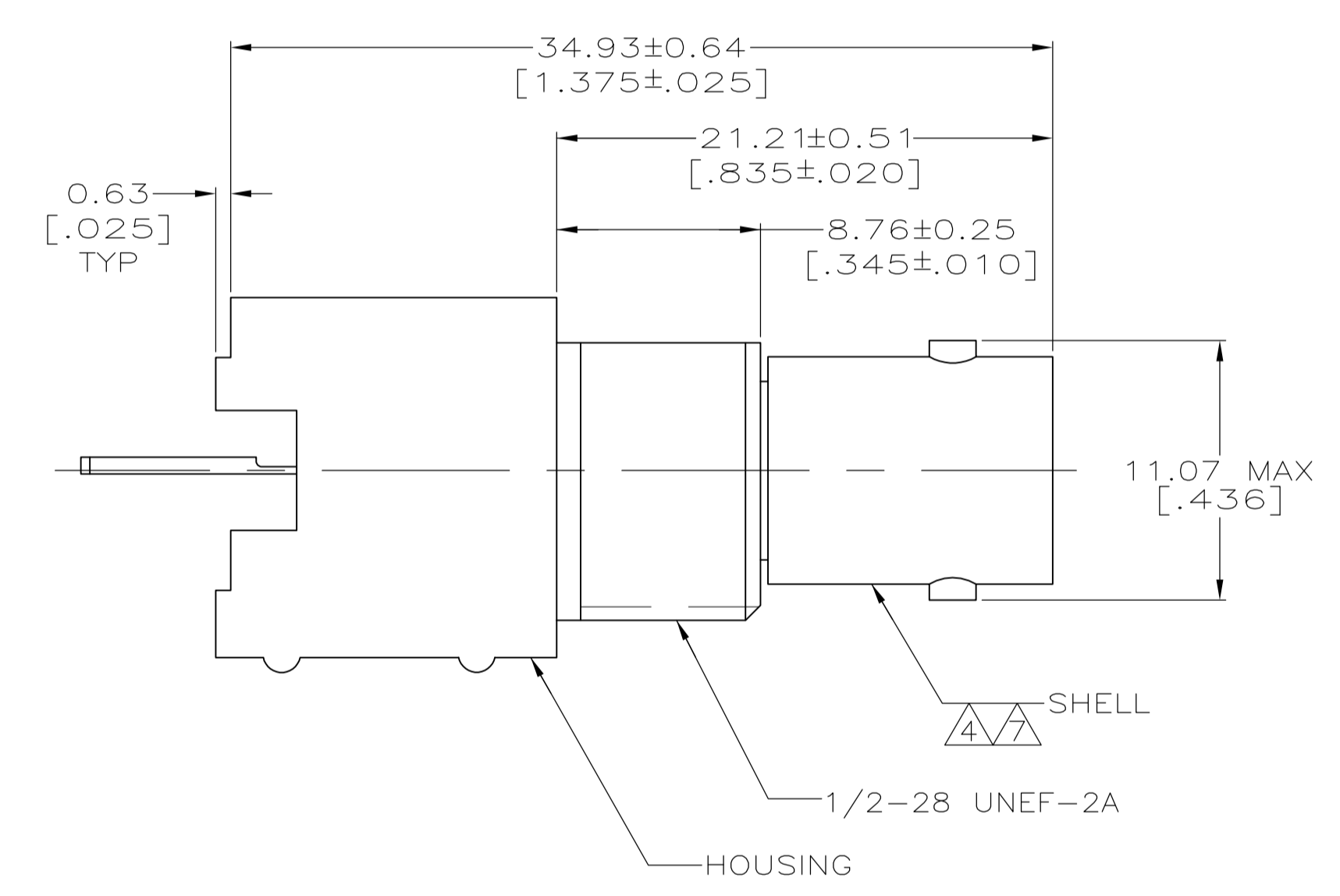
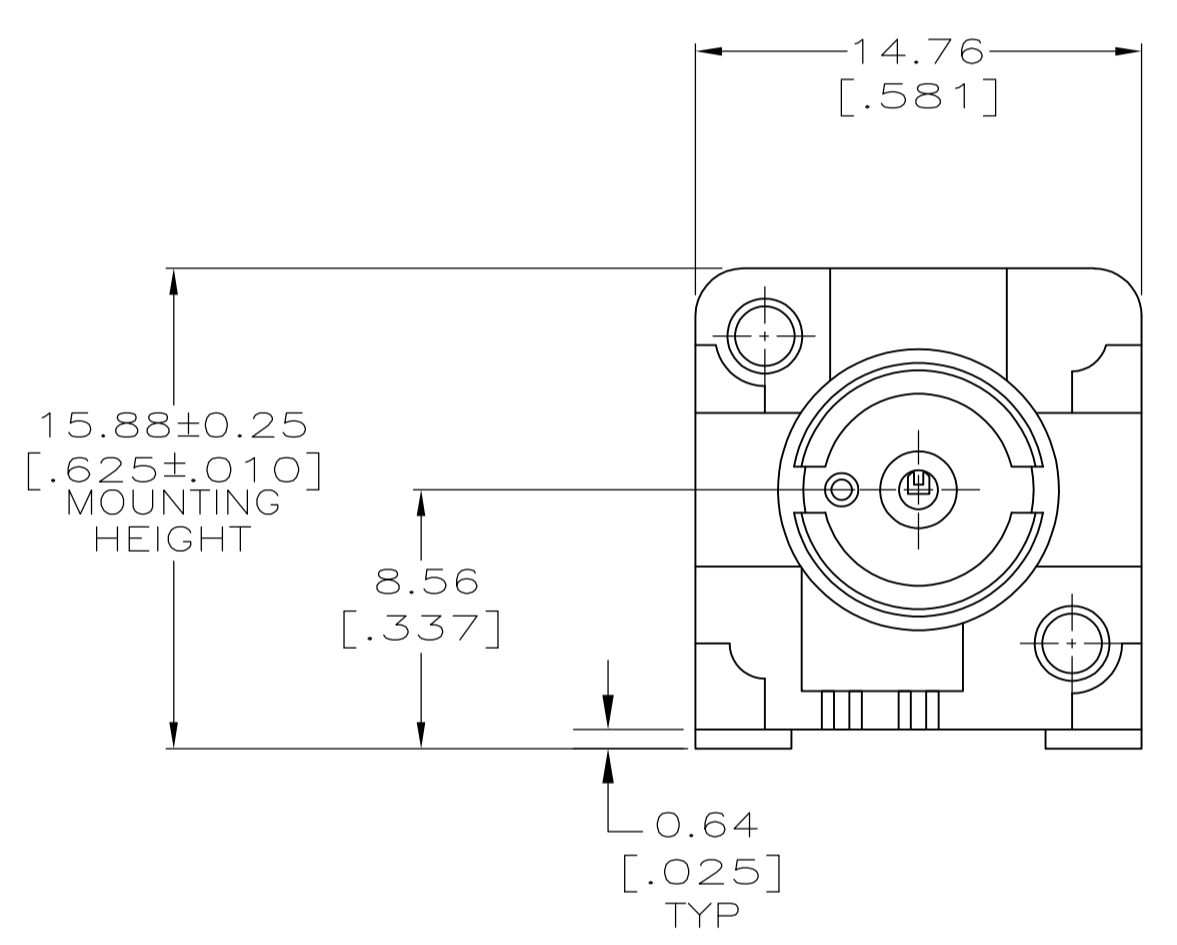
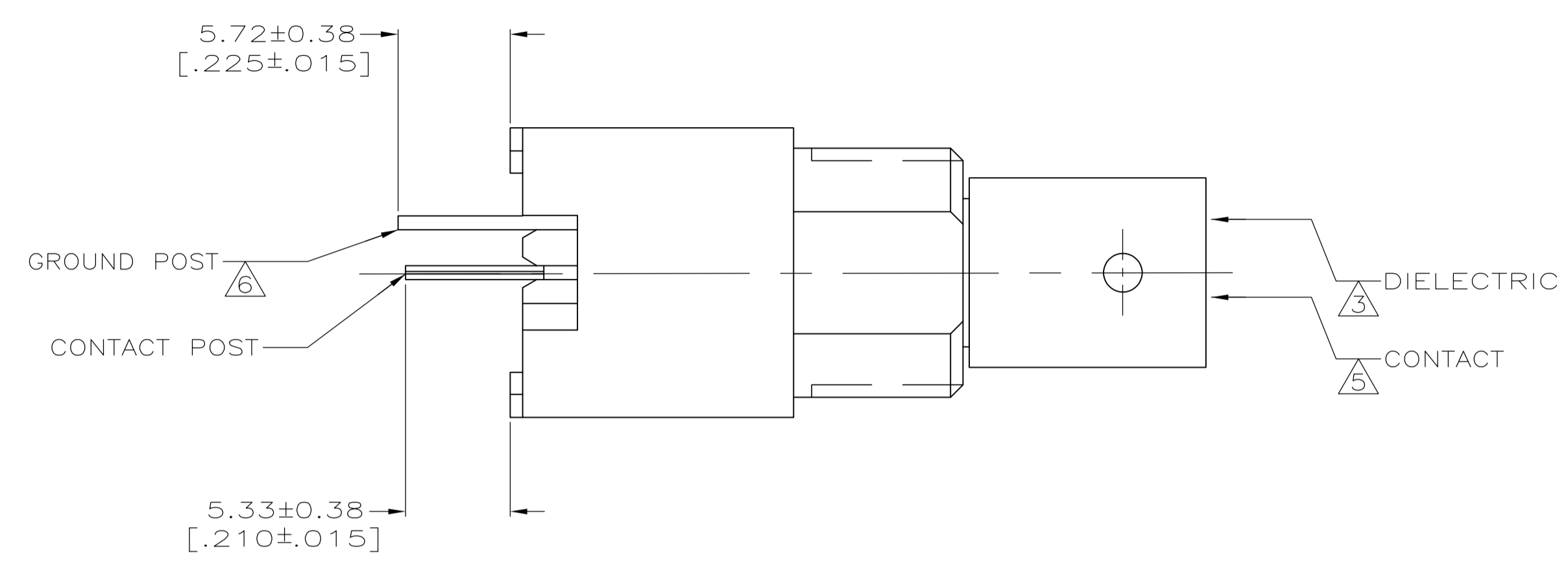
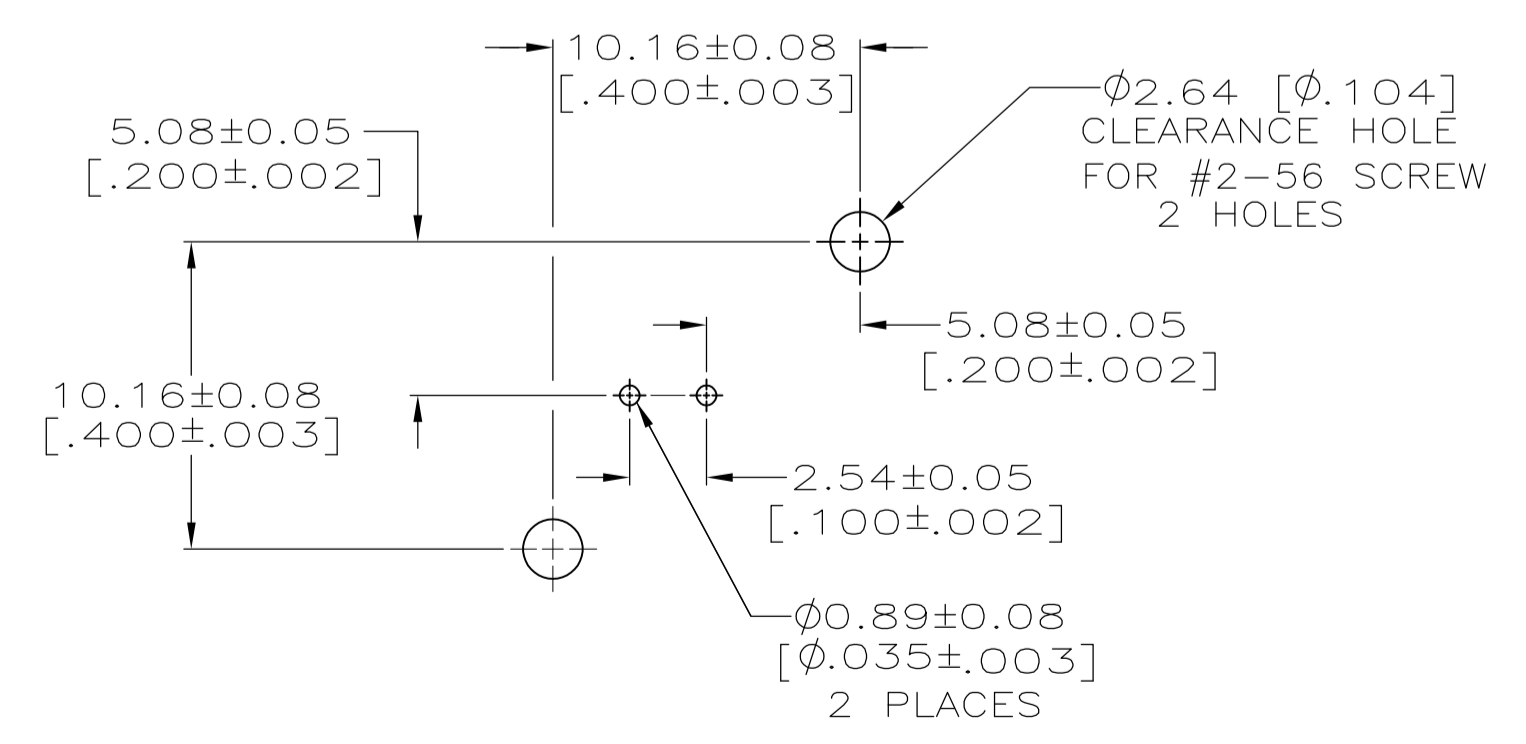


- 1 POLYESTER PBT PER MIL-M-24519, TYPE GPT-15F, UL94V-0 RATED, COLOR:NATURAL
- 2 POLYESTER PBT PER MIL-M-24519, TYPE GPT-15F, UL94V-0 RATED, COLOR:BLACK
- 3 POLYMETHYLPENTENE, GENERAL PURPOSE.
- 4 ZINC PER QQ-Z-363.
- 5 PHOSPHOR BRONZE PER QQ-B-750.
- 6 BRASS PER ASTM-B-453.
- 7 NICKEL PLATE PER QQ-N-290, 3.81 μm [.000150] MINIMUM THICK.
- 8 TIN PLATE PER ASTM-B-545, 3.81 μm [.000150] MINIMUM THICK.
- 9 GOLD PLATE PER MIL-G-45204, 0.76 μm [.000030] MINIMUM THICK.
- 10 SILVER PLATE PER QQ-S-365, 2.54 μm [.000100] MINIMUM THICK.
- 11 TIN PLATE PER ASTM-B-545, 3.81 μm [.000150] MINIMUM THICK.
- 12. SEE INSTRUCTION SHEET 2769.



RECOMMENDED PANEL CUTOUT



PCB CONFIGURATION

OBSOLETE	1	2	3	4	9-226993-0
SUPERSEDED BY 226993-3	8	8	9	2	226993-6
SUPERSEDED BY 226993-6	8	8	10	2	226993-5
	8	8	10	2	226993-4
OBSOLETE	8	8	9	1	226993-3
OBSOLETE	8	8	8	1	226993-2
	8	8	8	1	226993-1
	GROUND POST PLATING	CONTACT POST PLATING	CONTACT PLATING	HOUSING MATERIAL	PART NUMBER

THIS DRAWING IS A CONTROLLED DOCUMENT.		DIN	05-02-91	Tyco Electronics Corporation	
DIMENSIONS: INCHES		CHK	6-11-91	Harrisburg, PA 17105-3608	
TOLERANCES UNLESS OTHERWISE SPECIFIED:		APVD	8-07-91	NAME	
0 PLC	± -	Tyco Electronics		JACK, VERTICAL, 50 OHM, PCB, SERIES BNC	
1 PLC	± -	PRODUCT SPEC		108-12078	
2 PLC	± 0.20 [.008]	APPLICATION SPEC		SIZE	
3 PLC	± -	MATERIAL		A1 00779	
4 PLC	± -	FINISH		C=226993	
ANGLES	± -	WEIGHT		SCALE 2:1 SHEET 1 OF 1 REV Y	
1/2 3/4 5/8	7/8 9/10 11/16	CUSTOMER DRAWING		RESTRICTED TO	